



MANAGING YOUR
FEED DISTRIBUTION
WITH FLEXIBILITY

CORNER UNIT

Technical Systems

MARKET LEADER IN
FEED CONVEYING

www.technicalsys.com
info@technicalsys.com
Cape Town, South Africa

90° CORNER UNIT

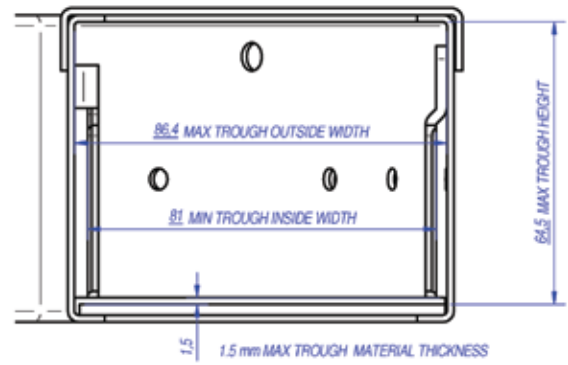
Corner unit

The corner unit compliments Technical Systems' flag ship product, Feed Chain.

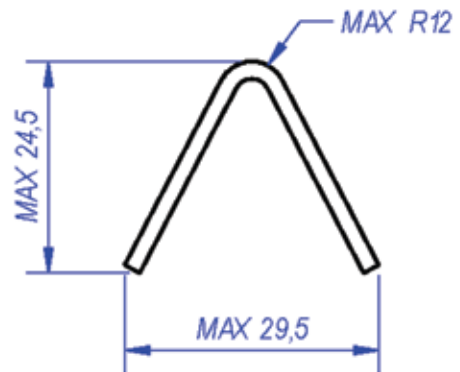
You can rely on Technical Systems' Corner unit for a trouble-free operation in a feeding system, to distribute feed evenly, rapidly and reliably throughout any feeding configuration.

The following attributes adds value to the corner unit to gain more market share:

- Customisable packing configurations i.e. can be added to our current product range by filling the space and maximize container space
- Customisable to market requirements i.e. colour & logos
- Accommodates various types of troughs, thus bigger market share
- Self-lubricating synthetic bush to allow a maintenance free product, thus no lubrication needed
- Polycarbonate transparent cover is more durable and improves visibility for interior inspections of unit and less maintenance time with a clip in the cover instead of bolt
- Base plate of unit will not be affected as the chain does not touch the plate as it is supported by link levelers
- Link levelers can be exchanged due to wear & tear and not the whole unit
- Wheel has no nibs, thus increasing the lifespan of the wheel due to less wear & tear
- Parts available to sell: Cover, Body, Wheel assembly (with wheel and shaft)
- Trough inlet:
 - 86.4 mm max trough outside width
 - 81 mm min trough inside width
 - 64.5 mm maximum trough height



DETAIL TROUGH INLET



MAX LEGSTAND TO FIT UNIT

Packing

Standard Pallets

Units

- 1 box = 2 units
- 1 x pallet = 108 boxes of 216 units
- 1 x 20 ft (6 m) container = 10 pallets
- Total of 2,160 units per 1 x 6 m container

Mini Pallets

Combined with Auger models to maximise container loads

Units

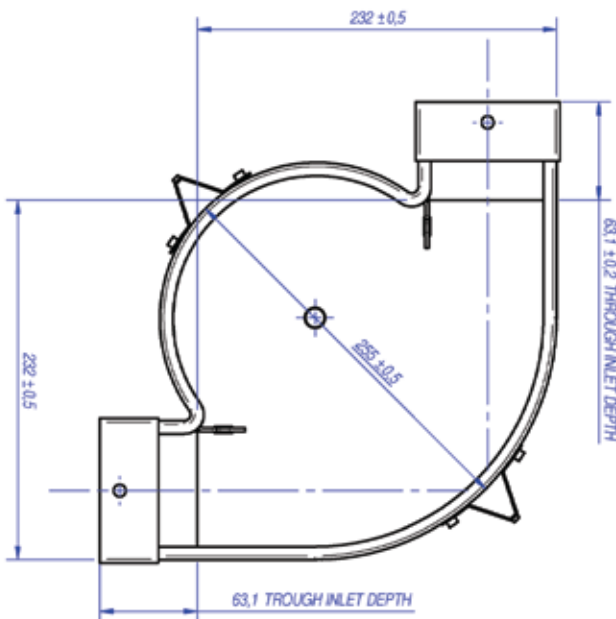
- 1 box = 2 units
- 1 x pallet = 24 boxes of 48 units
- 1 x 20 ft (6 m) container = 20 pallets
- Total of 960 units per 1 x 6 m container

Combined Shipments of Feed Chain, Corner units and Auger - a competitive advantage!

To maximise shipments and assist with your flexibility, "mini pallets" of Corner units can be packed inside the Auger Coils. This allows for full containers of Auger, combined with Feed Chain & Corner units at no additional shipping costs, thus maximising utilisation and decreasing unit costs.

Please enquire about packing combinations.
Visit www.technicalsys.com for more specifications.

© TECHNICAL SYSTEMS (PTY) LTD



CORNER UNIT DIMENSIONS