



MANAGING YOUR
FEED DISTRIBUTION
WITH FLEXIBILITY

TS DRIVE UNIT



Technical Systems

MARKET LEADER IN
FEED CONVEYING

www.technicalsys.com
info@technicalsys.com
Cape Town, South Africa

TS DRIVE UNIT

NEW TS Drive Unit

Technical Systems' Drive Unit will provide for a trouble-free operation in a feeding system, to distribute feed evenly, rapidly and reliably throughout any feeding configuration.

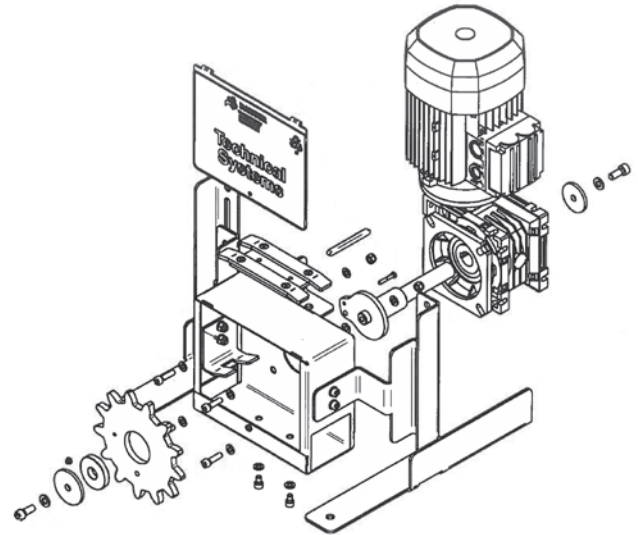
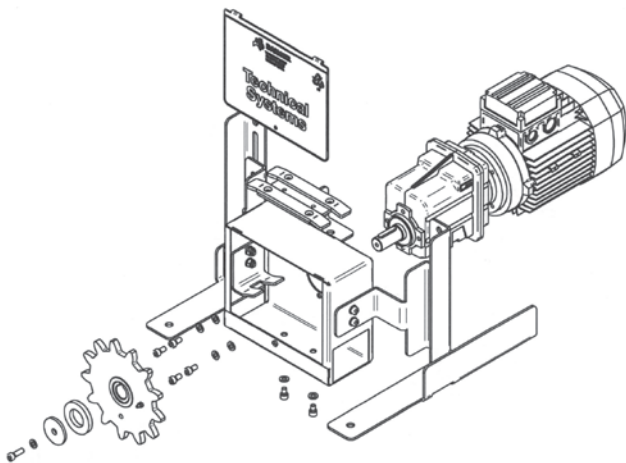
The New TS Drive Unit offers the following benefits to the user:

- Over 32 combinations of motors sizes and speeds.
- Helical Inline as well as worm applications.
- Light weight hardened steel Sprocket.
- Customisable drive unit box, accomodating motor brand of choice.
- TS will use Transtecno drives as standard, unless otherwise stated or requested.
- Powder coated and pre treated to prevent corrosion.

The drive unit integrates with most universally accepted through systems.

Additional information

- Customisable packing configurations i.e. can be added to our current product range by filling the space and maximize container space
- Customizable to market requirements i.e. colour & logos
- Parts available to sell: Cover, Body, Sprocket, Drives, Gear motors, Stands, Shoes/Bottom Guides
- Trough inlet:
 - 86.4 mm max trough outside width
 - 81 mm min trough inside width
 - 64.5 mm maximum trough height



Packing

Units Standard Pallets

Units

1 box = 1 unit maximum

Palletising types

DU Body only

1 x mini pallet = 24 boxes of 48 units

1 x half pallet = 54 boxes of 108 units

1 x full pallet = 99 boxes of 198 units

Leg Stands

1 full pallet = 76 legs per pallet

Complete Drive unit assembly including motor and gearboxes (based on 1.1kw without legs)

1 full pallet = 24 legs per pallet

Please enquire about packing combinations to maximise container loads, weight and placement permitting.

Combined Shipments of Feed Chain, Corner units and Auger - a competitive advantage!

To optimise container space usage, and to reduce shipping cost per unit, we offer various methods of packaging.

Please enquire about packing combinations.
Visit www.technicalsys.com for more specifications.



HELICAL INLINE DRIVE UNIT