

1

2

3

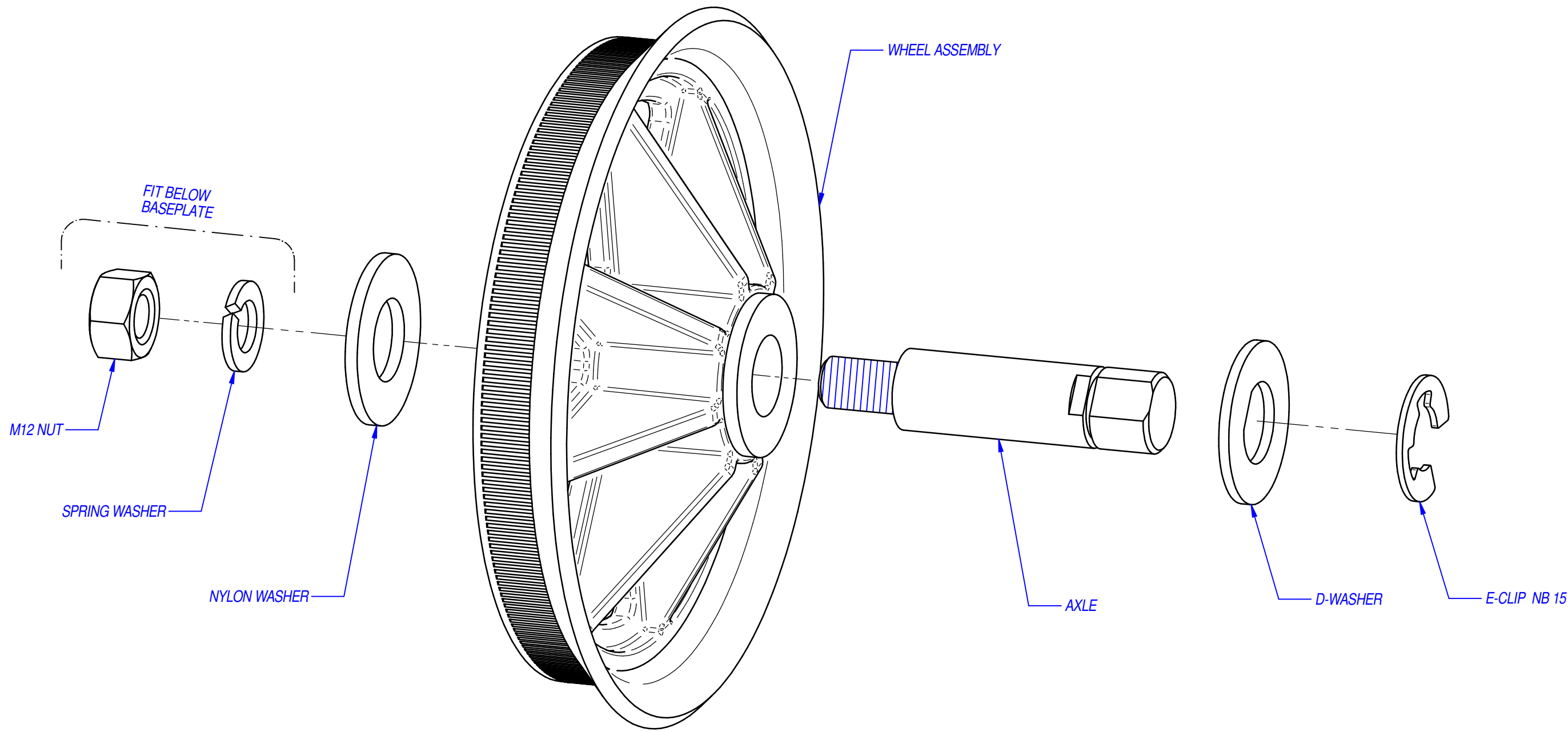
4

COMPANY PROPRIETY - LEGAL OWNERSHIP  
 Copyright © Technical Systems. The information contained in this drawing is to be used for official purposes only and shall not be reproduced or transmitted in any form or by any means or disclosed to any third party without prior written permission from Technical Systems. This drawing shall be returned to Technical Systems when no longer contractually required.

A

B

C



- NOTE:
- ONE NYLON WASHER TO BE FITTED UNDER WHEEL
  - NEVER INSTALL A NYLON WASHER ON TOP OF WHEEL

D

N/A	2	ECP 0191			WIEHAN	2015/05/08
NEXT HIGHER ASSEMBLY	REV	DESCRIPTION		APPROVED	CHECKED	DATE
ORIGINAL SIZE A3	MATERIAL			TITLE: WHEEL ASSEMBLY COMPLETE CU300		
ORIGINAL SCALE NTS	N/A			CLASSIFICATION UNCLASSIFIED FILE No. CU300-0102-R2.asm		
FIRST ANGLE PROJECTION	SURFACE TEXTURE N/A			DRG No. CU300-0102-R2		
DIMENSIONS IN MILLIMETRES UNLESS OTHERWISE STATED	TREATMENT N/A			SHT 2 OF 2		
<b>DO NOT SCALE</b>	FINISHING PROCESS N/A		TECHNICAL SYSTEMS (PTY) LTD P.O. BOX 757 SANLAMHOF 7532 REPUBLIC OF SOUTH AFRICA			